

American National Standard



PREVIEW COPY

This is a preview edition of an AAMI guidance document and is intended to allow potential purchasers to evaluate the content of the document before making a purchasing decision.

For a complete copy of this AAMI document, contact AAMI at +1-877-249-8226 or visit www.aami.org.

ANSI/AAMI/ ISO 10079- 2:1999 Medical Suction Equipment—Part 2: Manually Powered Suction Equipment



This document was approved and published when the U.S. TAG for TC 121 was held by ASTM, but it is now an AAMI standard. The original formatting has been maintained, so there are some variations from the typical AAMI style.

PREVIEW COPY

This is a preview edition of an AAMI guidance document and is intended to allow potential purchasers to evaluate the content of the document before making a purchasing decision.

For a complete copy of this AAMI document, contact AAMI at +1-877-249-8226 or visit www.aami.org.

Published by

Association for the Advancement of Medical Instrumentation
4301 N. Fairfax Drive, Suite 301
Arlington, VA 22203-1633
www.aami.org

© 2014 by the Association for the Advancement of Medical Instrumentation

All Rights Reserved

This publication is subject to copyright claims of ISO, and AAMI. No part of this publication may be reproduced or distributed in any form, including an electronic retrieval system, without the prior written permission of AAMI. All requests pertaining to this document should be submitted to AAMI. It is illegal under federal law (17 U.S.C. § 101, *et seq.*) to make copies of all or any part of this document (whether internally or externally) without the prior written permission of the Association for the Advancement of Medical Instrumentation. Violators risk legal action, including civil and criminal penalties, and damages of \$100,000 per offense. For permission regarding the use of all or any part of this document, complete the reprint request form at www.aami.org or contact AAMI, 4301 N. Fairfax Drive, Suite 301, Arlington, VA 22203-1633. Phone: 703-525-4890; Fax: 703-525-1067.

Printed in the United States of America

ISBN 1-57020-538-8

**ANS/ISO 10079-2
1999**



Medical Suction Equipment—

Part 2:

PREVIEW COPY

Manually Powered Suction Equipment

This is a preview edition of an AAMI guidance document and is intended to allow potential purchasers to evaluate the content of the document before making a purchasing decision.

For a complete copy of this AAMI document, contact AAMI at +1-877-249-8226 or visit www.aami.org.

Approved as an American National Standard by:

ASTM International



PREVIEW COPY

This is a preview edition of an AAMI guidance document and is intended to allow potential purchasers to evaluate the content of the document before making a purchasing decision.

For a complete copy of this AAMI document, contact AAMI at +1-877-249-8226 or visit www.aami.org.

These materials are subject to copyright claims of ISO, ANSI, and ASTM International. Not for resale without the prior written permission of ASTM International. No part of this publication may be reproduced in any form, including an electronic retrieval system, without the prior written permission of ASTM International.



ASTM deviations to ISO 10079-2: 1999

5.2.1 General

(Replace 5.2.1 with the following)

Note: Suction performance may be markedly affected by the length diameter and degree of collapse of the suction tubing.

5.2.1.1 If supplied, suction tubing shall have an internal diameter of not less than 6 mm.

5.2.1.2 When tested in accordance with A.2, the degree of collapse of the suction tubing supplied with the equipment shall be less than 0.5 throughout its entire length.

Rationale for ASTM deviation: Structured similar to ISO 10079 - 3

6 Operational requirements

(Add the following) **PREVIEW COPY**

6.8 The performance criteria in Clause 8 shall be met using a force of less than 350 N for foot-operated equipment and less than 45 N for hand-operated equipment.

Rationale for ASTM deviation: These requirements are necessary so that equipment can be operated without excessive effort on the part of the operator. These requirements can be found in CGA Z168.11-94. 249-8226 or visit www.aami.org.

8.1 Vacuum

(Replace with the following)

When tested in accordance with A.6, the suction equipment shall develop a vacuum of at least 40 kPa within 10 s, unless either marked as “low vacuum” or marked with the maximum vacuum that can be developed.

Rationale for ASTM deviation: This allows for equipment other than high vacuum if appropriately labeled. This modification is based on CGA Z168.11-94.

8.3 Free air flow

(Replace with the following)

When tested in accordance with A.7, the peak free air flow shall be at least 20 L/min unless marked “low flow.”

Equipment intended for thoracic drainage, wound drainage, and intermittent and interrupted suction shall be exempt from the requirements of this clause.



Rationale for ASTM deviation: This allows for equipment other than high flow if appropriately labeled and exempts application-specific equipment. This modification is based on CGA Z168.11-94.

10 Marking

(Replace a) with the following)

For equipment not intended for field and/or transport use, the unit shall be marked appropriately based on the performance in Clause 8.

Rationale for ASTM deviation: To make marking consistent with performance.

11 Information to be supplied by manufacturer

(Add the following)

p) whether or not the suction equipment is suitable for use in a magnetic resonance imaging (MRI) unit.

Rationale for ASTM deviation: This knowledge is necessary for safe use. It is intended to allow potential purchasers to evaluate the content of the document before making a purchasing decision.

A.6 Test for vacuum

(Replace with the following)

Set up the suction equipment with the collection container in place and, using a short tube, fit a vacuum indicator to the container inlet, totally occluding the inlet. Operate the equipment at a frequency not exceeding 2 Hz. Record the reading of the vacuum indicator after 10 s.

Rationale for ASTM deviation: It may not be possible to fit a vacuum indicator directly to the container inlet.

INTERNATIONAL STANDARD

ISO 10079-2

Second edition
1999-08-15



Advancing Safety in Medical Technology

Medical suction equipment —

Part 2:

Manually powered suction equipment

PREVIEW COPY

Appareils d'aspiration médicale —

Partie 2: Appareils d'aspiration manuelle

This is a preview edition of an AAMI guidance document and is intended to allow potential purchasers to evaluate the content of the document before making a purchasing decision.

For a complete copy of this AAMI document, contact AAMI at +1-877-249-8226 or visit www.aami.org.



Reference number
ISO 10079-2:1999(E)

Contents

1 Scope	1
2 Normative references	2
3 Terms and definitions	3
4 Cleaning and sterilization	3
5 Design requirements	3
6 Operational requirements	4
7 Physical requirements	5
8 Performance requirements for vacuum and flowrate	6
9 Resistance to environment	6
10 Marking	7
11 Information to be supplied by manufacturer	7
Annex A (normative) Test methods	8
Annex B (informative) Table of typical ranges of volume for collection containers for specific uses	12
Annex C (informative) Rationale statement	13



PREVIEW COPY

This is a preview edition of an AAMI guidance document and is intended to allow potential purchasers to evaluate the content of the document before making a purchasing decision.

For a complete copy of this AAMI document, contact AAMI at +1-877-249-8226 or visit www.aami.org.

© ISO 1999

All rights reserved. Unless otherwise specified, no part of this publication may be reproduced or utilized in any form or by any means, electronic or mechanical, including photocopying and microfilm, without permission in writing from the publisher.

International Organization for Standardization
Case postale 56 • CH-1211 Genève 20 • Switzerland
Internet iso@iso.ch

Printed in Switzerland

Foreword

ISO (the International Organization for Standardization) is a worldwide federation of national standards bodies (ISO member bodies). The work of preparing International Standards is normally carried out through ISO technical committees. Each member body interested in a subject for which a technical committee has been established has the right to be represented on that committee. International organizations, governmental and non-governmental, in liaison with ISO, also take part in the work. ISO collaborates closely with the International Electrotechnical Commission (IEC) on all matters of electrotechnical standardization.

International Standards are drafted in accordance with the rules given in the ISO/IEC Directives, Part 3.

Draft International Standards adopted by the technical committees are circulated to the member bodies for voting. Publication as an International Standard requires approval by at least 75 % of the member bodies casting a vote.

International Standard ISO 10079-2 was prepared by Technical Committee ISO/TC 121, *Anaesthetic and respiratory equipment*, Subcommittee SC 8, *Suction devices for hospital and emergency care use*.

This second edition cancels and replaces the first edition (ISO 10079-2:1992), which has been technically revised.

ISO 10079 consists of the following parts, under the general title *Medical suction equipment*:

- *Part 1: Electrically powered suction equipment — Safety requirements*
- *Part 2: Manually powered suction equipment*
- *Part 3: Suction equipment powered from vacuum or pressure source*

Annex A forms a normative part of this part of ISO 10079. Annexes B and C are for information only.



PREVIEW COPY

This is a preview edition of an AAMI guidance document and is intended to allow potential purchasers to evaluate the content of the document before making a purchasing decision.

For a complete copy of this AAMI document, contact AAMI at +1-877-249-8226 or visit www.aami.org.

Medical suction equipment —

Part 2: Manually powered suction equipment

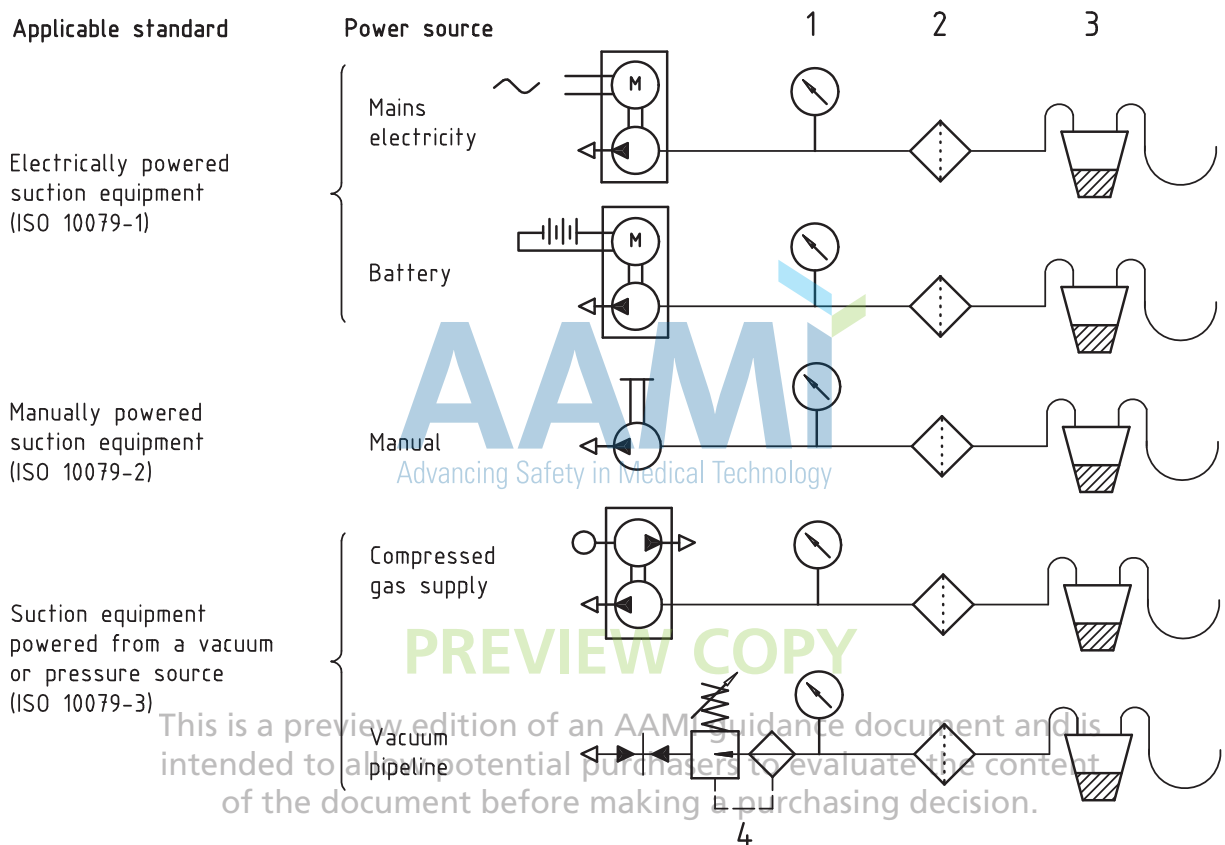


1 Scope

This part of ISO 10079 specifies safety and performance requirements for manually powered medical suction equipment intended for oro-pharyngeal suction. It covers equipment operated by foot or by hand or both (see Figure 1). Non-electrical suction equipment which may be integrated with electrical equipment is included in the scope of this part of ISO 10079.

This part of ISO 10079 does not apply to electrically powered suction equipment, whether mains electricity- or battery-powered, which is dealt with in ISO 10079-1, nor to suction equipment powered from a vacuum or pressure source which is dealt with in ISO 10079-3, nor to the following:

- a) central power supply (by vacuum/compressed air generation); piping systems of vehicles and buildings, and wall connectors;
- b) catheter tubes, drains, curettes and suction tips;
- c) syringes;
- d) dental suction equipment;
- e) waste gas scavenging systems;
- f) laboratory suction;
- g) autotransfusion systems;
- h) passive urinary drainage;
- i) closed systems for wound drainage;
- j) gravity gastric drainage;
- k) orally operated mucous extractors;
- l) suction equipment where the collection container is downstream of the vacuum pump;
- m) equipment marked as suction unit for permanent tracheostomy;
- n) ventouse (obstetric) equipment;
- o) neonatal mucous extractors;
- p) breast pumps;
- q) liposuction;
- r) uterine aspiration;
- s) thoracic drainage.



- Key**
- 1 Vacuum indicator
 - 2 Filter
 - 3 Collection container
 - 4 Vacuum regulator

For a complete copy of this AAMI document, contact AAMI at +1-877-249-8226 or visit www.aami.org.

- NOTE 1 ISO 10079-1 applies to mains electricity- and battery-powered suction equipment. ISO 10079-2 applies to manually powered suction equipment. ISO 10079-3 applies to suction equipment powered from a vacuum or pressure source.
- NOTE 2 Components illustrated are not necessarily required by this part of ISO 10079.
- NOTE 3 Suction equipment shown is an example only, and actual systems may consist of other arrangements and components which are not illustrated.

Figure 1 — Examples of suction equipment

2 Normative references

The following normative documents contain provisions which, through reference in this text, constitute provisions of this part of ISO 10079. For dated references, subsequent amendments to, or revisions of, any of these publications do not apply. However, parties to agreements based on this part of ISO 10079 are encouraged to investigate the possibility of applying the most recent editions of the normative documents indicated below. For undated references, the latest edition of the normative document referred to applies. Members of ISO and IEC maintain registers of currently valid International Standards.

- ISO 5356-1:1996, *Anaesthetic and respiratory equipment — Conical connectors — Part 1: Cones and sockets.*
- ISO 8836:1997, *Suction catheters for use in the respiratory tract.*
- ISO 10079-1:1999, *Medical suction equipment — Part 1: Electrically powered suction equipment — Safety requirements.*